

IntelliCorder 0 Camera System

Model No.1500

Operation Instructions



IntelliCorder 0 Camera System

User's Guide

Before attempting to connect or operate this product, please read these instructions carefully and save this manual for future reference.

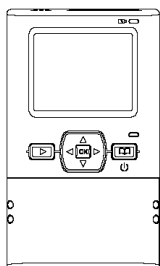
Congratulations

With the IntelliCorder 0, you can monitor the entrance of any home or business and safely answer your door before opening. The internal Digital Video Recorder (DVR) can capture the video/audio of any visitor even when you are not present. The IntelliCorder 0 is a high-quality, battery-operated monitoring device. It uses a passive infrared (PIR) motion sensor to detect guests/intruders at your front or back door and projects an on-screen image onto the internal monitor screen. Once powered on, it will activate a video recording, storing it in the internal memory or onto a SD memory card.

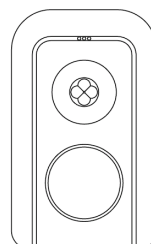
This instruction manual explains in simple steps how to install, use and care for your new IntelliCorder 0 in your home, office or business.

Parts Checklist

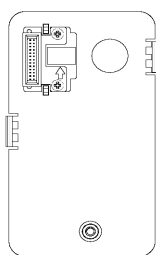
Identify all parts before proceeding with installation



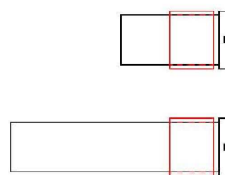
1pc. Color Monitor



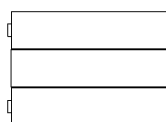
1pc. Front Sensor with double-side tape



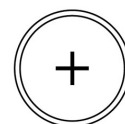
1pc. Mounting Bracket with double-sided tape



2 pcs Support tubes (2 sizes)



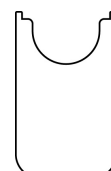
3pcs x AAA Alkaline Batteries (not included)



1pc. Clock Battery (installed in Camcorder)



1pc. Screw for Bracket



1pc. Tool

Things You Should Know

FCC Warning

Any unauthorized changes or modifications to the equipment would void the users authority to operate. This IntelliCorder 0 complies with part 15 of the FCC rules. Operation is subject to the following two conditions:

1. The IntelliCorder 0 may not cause harmful interference.
2. The IntelliCorder 0 may accept any interference received.

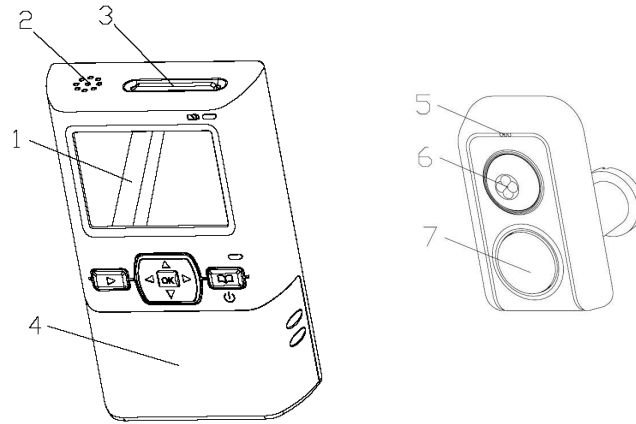
Important Safeguards

1. Cleaning – Turn off this video unit before cleaning. Do not use strong or abrasive detergents. Use a dry cloth to clean the camera body when dirty. In case the dirt is hard to remove, use a damp (not wet) cloth for cleaning.
2. Water and Moisture – Do not use any component of this system in an exposed outdoor area, except the outer part of front sensor. Do not operate this system in the presence of explosive or flammable fumes.

Precautions

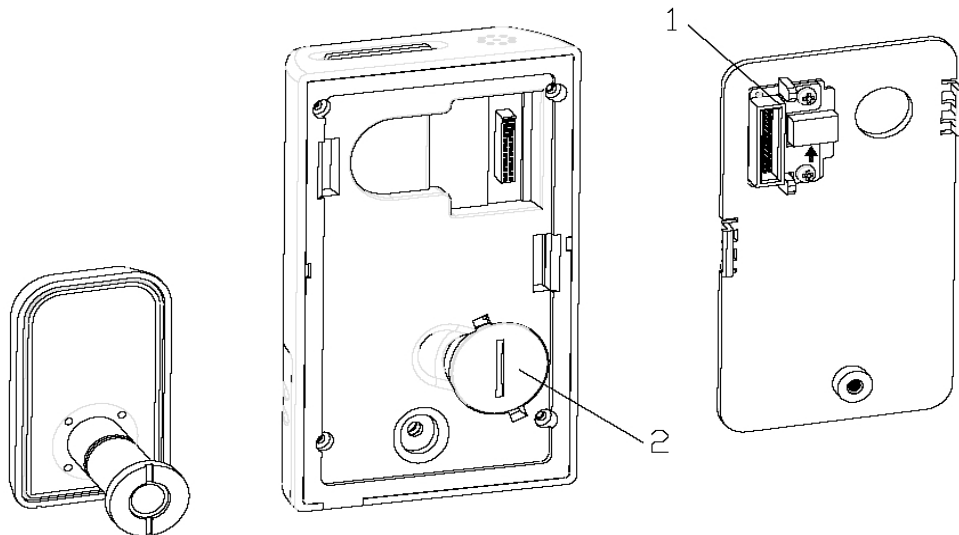
1. Do not attempt to disassemble the camera. There are no user-serviceable parts inside
2. Handle the IntelliCorder 0 with care – Avoid striking or shaking. Improper use or storage could damage the IntelliCorder 0. Modifying or tampering with the device or its internal components can cause a malfunction and void the IntelliCorder 0's warranty. If you feel the IntelliCorder 0 may not be performing correctly, contact customer service for assistance.
3. Motion Detection – The PIR motion sensor will NOT detect motion through glass storm doors, screen doors or metal gates.
4. Camera faceplate care – Do not clean the lens with strong or abrasive detergents. Use lens tissue or a cotton tipped applicator and ethanol alcohol.
5. Light Source – The Camera viewing area must be illuminated with a suitable light source during evening and nighttime hours.
6. Door Mounting – The product should be mounted to a door, only as recommended by the instructions. Contact customer service for any questions.
7. Stand-by MODE – When not using your IntelliCorder 0, press and hold power button to go to stand-by mode.
8. Do not touch the LCD screen with a sharp-pointed object.
9. If your IntelliCorder 0 is used in a cold environment, a residual image may appear on the LCD screen. This is not a malfunction.

Features



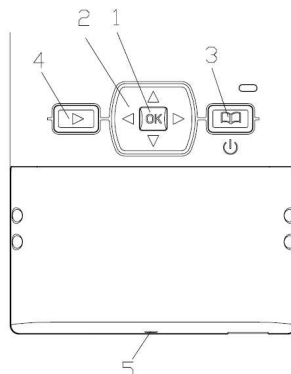
Monitor and Sensor Front

1. LCD Screen – 1.5" LTPS LCD
2. Speaker – play back the audio sound of recorded file in PLAY mode
3. SD Card Insert Slot
4. Battery Cover
5. Microphone
6. Motion-activated Sensor – detects motion up to 6.5 feet (2 meters) away from a horizontal angle of up to 125 degrees (Motion cannot be detected through glass storm doors, screen doors or metal gates).
7. Lens



Motion and Sensor Back

1. Terminal
2. Clock Battery Cover



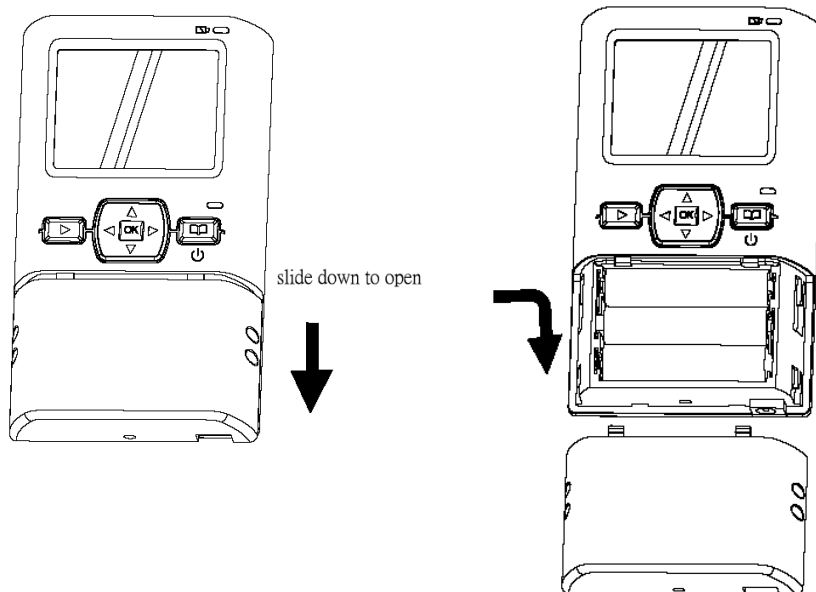
Control Panel

1. OK – confirm setting
2. CURSOR – ◀ ▶ ▲ ▼
3. MENU / power – enter Menu screen; hold to turn device off or on at LIVE mode
4. PLAY – enter or exit PLAY mode
5. RESET – use a pointer or alike to press this button to reset the unit

Operation Indicators

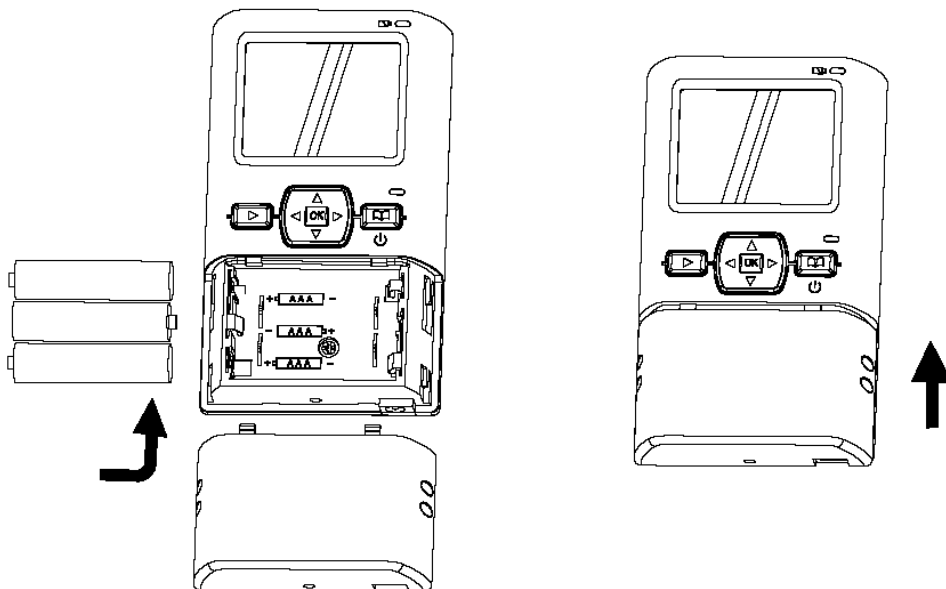
1. New Message Light Indicator (**Green**)
2. Low Battery Light Indicator (**Red**)

Preparation



Install Battery

1. Slide downward and pull open the battery cover
2. Install 3 x new alkaline or rechargeable AAA Batteries (not included) into the battery compartment, observing proper +/- polarities as indicated.
3. Once the batteries are installed, replace the cover and slide up to lock the battery cover.



To Remove Battery

1. Slide downward and pull open the battery cover
2. Take out batteries from the compartment

Battery Care

Caution:

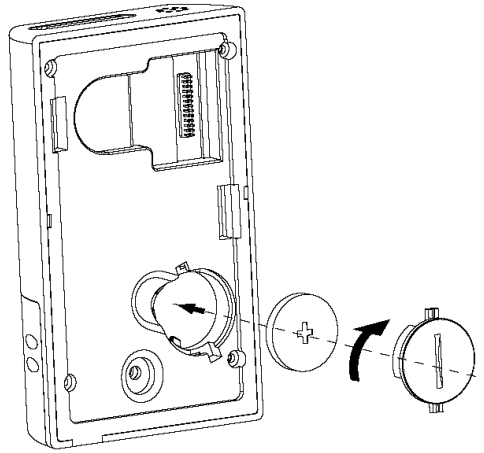
- * Do not use old or insufficiently charged batteries
- * Do not place batteries near or dispose of in fire
- * Never attempt to disassemble or reassemble Batteries

To avoid Battery damage

* Do not drop or jar Batteries

* While not in use, remove Batteries from the IntelliCorder *O*, and store in a cool, dark, dry place.

CLOCK Battery Installation



The IntelliCorder *O*'s internal clock operates on a CR2032 lithium flat cell battery (included). To replace battery when expired:

1. Remove the cover on the back of the unit by rotating tabs into unlock position.
2. Install a new CR2032 battery into the clock battery compartment, observing proper +/- polarities as indicated.
3. Replace the battery cover. Rotate tabs into lock position.

Warning:

* Dispose of old battery promptly and properly. Do not burn or bury.

* Replace battery with CR2032 only. Use of another battery may present a risk of damage to the IntelliCorder *O*.

* Keep away from children. Do not recharge, disassemble or dispose of in fire.

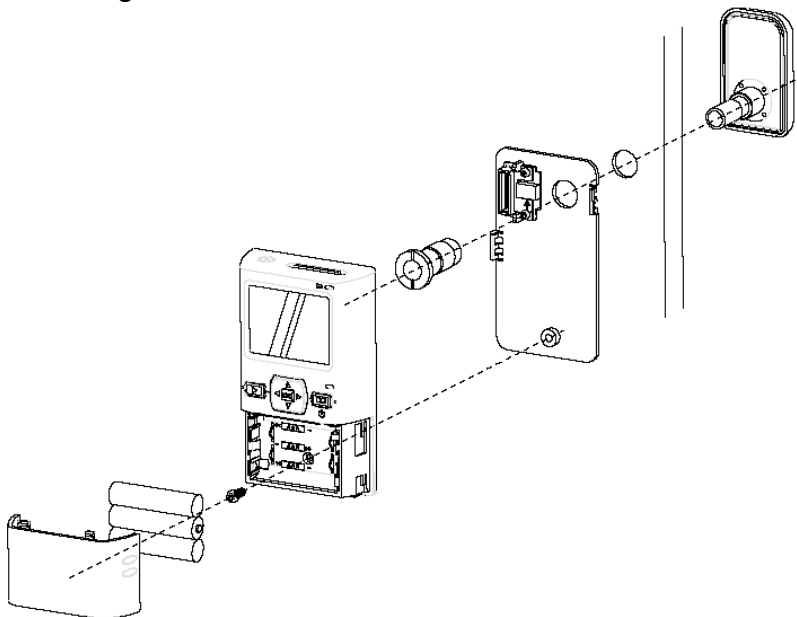
Note:

* Keep battery out of children's reach. Swallowing it may be harmful.

* Battery life is approximately two years.

Installation

Choose a Mounting Location



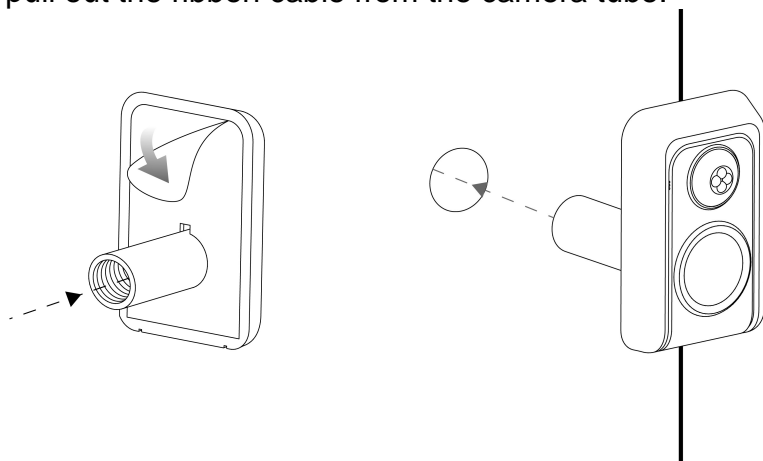
The IntelliCorder *O* is designed to mount on a smooth, flat door surface from 30mm to 65mm. Select a door/entrance you wish to monitor. The recommended mounting height is approximately 5-6 feet.

At this height, the PIR sensor detects motion up to 6.5 feet (2 meters) away, with a viewing angle up to 80 degrees.

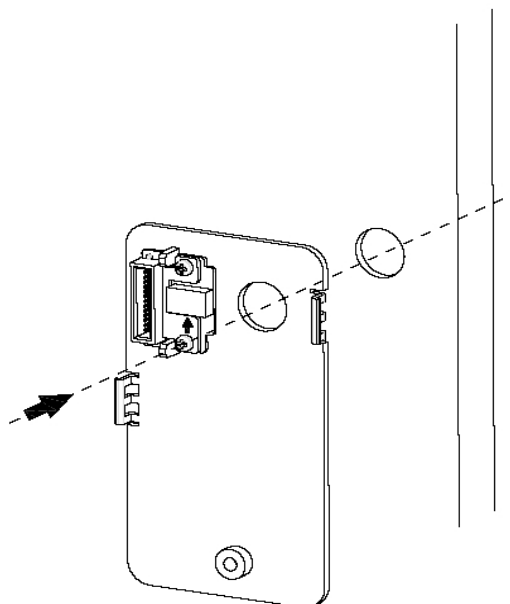
To help avoid false activation, mount your camera:

- * Away from direct sunlight
- * Away from heat sources, such as space heaters, radiators, and exposed light bulbs
- * Away from strong drafts, like those caused by central heating vents

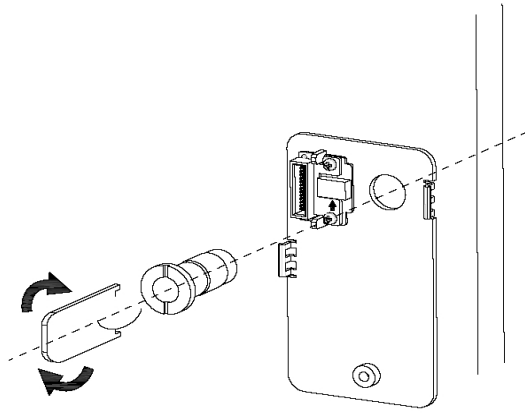
1. Prepare the mounting space by first removing the original door peephole hole viewer. If there is no peephole, then you will need to drill a hole of an at least ½" (12.5mm) diameter at desired location.
2. Clean the surface where the PIR camera sensor is to be mounted.
3. Carefully pull out the ribbon cable from the camera tube.



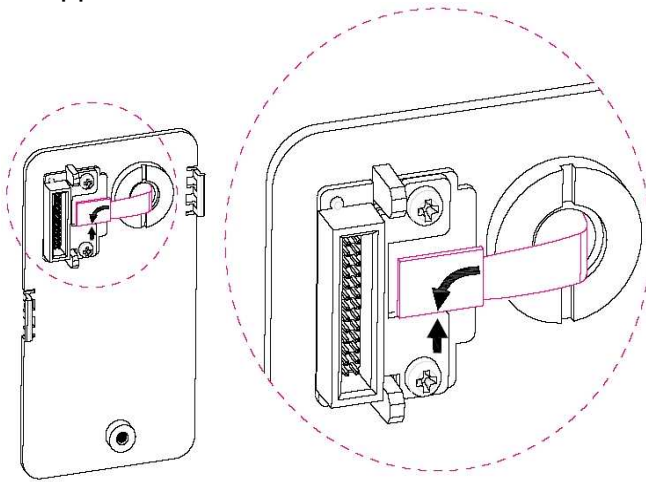
4. Remove the backing of the double-sided adhesive tape on the back of the PIR. Carefully feed the ribbon cable and tube through the peephole to the other side of the door. Be careful not to stick the camera to the door. Once you have the camera aligned properly, press the camera to the door allowing the adhesive tape to the camera in place. As illustrated below, keep the PIR sensor on the top.



5. Remove the backing of the double-sided adhesive tape on the back of the mounting bracket. Carefully feed the ribbon cable through the mounting hole of the mounting bracket. Once you have the mounting bracket aligned properly, press it to the door allowing the adhesive tape to the mounting bracket in place.



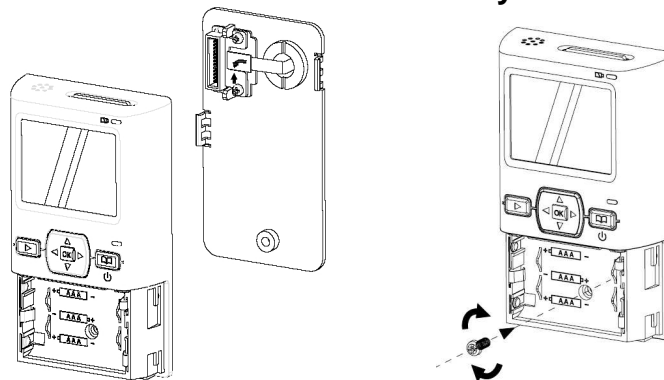
6. Feed the ribbon cable through the support tube. Place the Support tube through the Mounting Bracket into the peephole and screw onto the PIR tube. Use the Adjustment Tool to turn the Support tube clockwise until the mounting plate is secured to the door. Take care not to over-tighten the Support Tube.



7. Connect the ribbon cable plug to the INPUT Connector by matching the arrow symbols on the plug and the terminal.

Caution

Do not rotate the camera or recorder without disconnecting the ribbon cable first. Damage to the ribbon cable will occur and void the warranty.



8. Hook the Monitor onto the Mounting Bracket. Thread a screw to hole of the unit's battery compartment and turn it clockwise.
9. To activate clock battery, pull the insulator tab from the backside of Monitor.
10. Position the slot located at the top edge of the IntelliCorder 0 onto the top tab of the Mounting Bracket. Next, fit the slot located at the bottom edge of the IntelliCorder 0 onto the lower tab of the mounting bracket. Press the IntelliCorder 0 firmly into position.
11. If using an SD memory card (not supplied) insert into the slot at the top of Monitor.
12. Insert the Batteries into the compartment, as indicated by polarity symbols (+ and -) marked inside. See Battery Installation (Page 5).

Operation

For First Use, the camera will undergo self-calibration within several seconds. IntelliCorder 0 has different languages, time/date format and flicker options available. Select your desired setting first before use (see page 12).

To save battery power, the IntelliCorder 0 will enter into sleep mode at 5 seconds when not in use or no motion is detected.

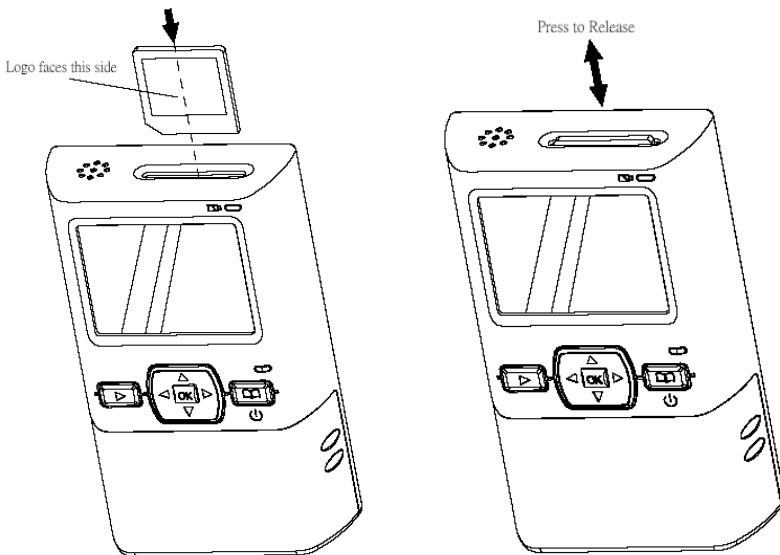
SD Card (not included)

For increased recording time, data (Video files) can be stored onto standard SD memory cards. Data from the IntelliCorder 0's internal memory can also be downloaded to an SD card. The IntelliCorder 0 accepts SD memory cards up to 4GB.

SD Card Insertion/Removal

1. Insert SD card with the logo facing outward toward the LCD screen. Press the SD memory card inward until it clicks into position.
2. To remove the SD memory card, press on it to release. It will click and eject out.

Record / Playback Time



Use one of the following SD card sizes in the chart below. The resolution setting determines the recording length.

Resolution	128MB	512MB	1GB	4GB
Fine	8 min	32 min	64 min	256 min
SP (Standard Play)	13 min	52 min	104 min	416 min
LP (Long Play)*	21 min	84 min	168 min	672 min

* LP playback may contain more picture noise

Motion-Activated RECORD

The IntelliCorder 0 can record high-resolution video with sound of visitors/intruders at your front or back door, even when you are not home.

Before you begin

* Check the Battery Indicator





* If using an SD memory card, ensure it is properly installed.

1. When motion is detected, the IntelliCorder 0 begins recording shortly after the PIR detects motion. It continues recording until motion has ceased for 5 seconds.
2. The IntelliCorder 0 is equipped with internal memory for immediate recording storage. Video files are stored as MOTION JPEG format. If no SD memory card is detected, files will be stored to internal memory. For longer recording time, you can use SD memory card up to 4GB. When the memory is full (either internal or on SD memory card), IntelliCorder 0's auto-deletion function will erase three oldest files each time.

PIR Sensor activation may not occur when:

- * Motion is very slow or very fast.
- * Moving object is very small.
- * Motion occurs only in 1 corner of viewing area.

Note: The PIR sensor will not detect motion through a glass storm door, screen door or metal gate.

	Record Status Red – Movie recording Green – live preview		Set Clock The clock time is lost in last power off
FINE SP LP	Video Quality 320x240 @ 30fps 320x240 @ 20fps 320x240 @ 13fps		Battery Status Full Power Level 66% Power Level 33% Power Level Empty
1:20	Record Elapsed Time / Remain Time		SD/MMC card Status Present and Valid Present but Locked (Red in color)
01/01/2005 12:00 AM	Clock Info / Stamp Mode		

Manual RECORD

1. When no motion is detected but you desire to look outdoor environment, press POWER to wake up camera and LCD screen at LIVE mode.
2. Press OK to manually start recording. Press OK again to stop recording.

PLAY Back Video Files using Monitor

A flashing Green light indicates new files have been recorded. You can monitor the playback picture on the LCD screen using the IntelliCorder 0's DVR features.

Press POWER to wake up camera and LCD screen at Live mode

1. Press PLAY and Thumbnail file(s) will appear on the screen.
2. Use ◀▶▲▼ to select the desired file to preview.
3. Press OK to open it.
4. Uses OK to play/pause/replay the video.

After 30 seconds the IntelliCorder 0 will go into sleep mode.

When the video is playing,

- * Press ◀▶ to skip to previous/next video.
- * Press ▲ to increase volume or ▼ to decrease it.





When the video is paused/stopped,

- * Press ◀▶ to skip to previous/next video.
- * Press ▲▼ to go back to thumbnail screen.

* Press PLAY to exit from Play mode to Live mode






Notes:

- * The IntelliCorder saves video files with date and time information in Thumbnail mode
- * New message light will turn off when the video is played
- * Recordings will stop when starting the Play Back Mode (Video)
- * The file order depends on DCF Index: CLIP00001 to CLIP09999

	<p>Playback status Video stop Video Playing Video Pause</p>		<p>Battery Status Full Power Level 66% Power Level 33% Power Level Empty</p>
<p>21/28</p>	<p>Current File / Total File</p>		<p>SD/MMC card Status Present and Valid Present but Locked</p>
<p>2005/01/01 12:00:00</p>	<p>Movie Date and Time</p>		<p>Set Clock The clock time is lost in last power off</p>

Menu Screen at Play mode



	Go to Erase This
	Go to Erase All
	Go to Volume Level Menu
	Enter Setup Mode
	Go back to Thumbnail Mode

Erase This

1. Press PLAY button to enter thumbnail screen
2. Use ◀▶▲▼ to select the desired file
3. Press MENU button to enter Menu mode
4. Press OK to enter “Erase This”
5. Use ◀▶▲▼ to select “Cancel” or “OK”. Press OK to confirm the selected command and go back to the previous menu.

Note: You can press the MENU button anytime during setting to cancel the selection and go back to the previous menu.

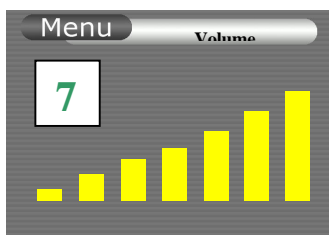
Erase All

1. Press PLAY button to enter thumbnail screen
2. Press MENU button to enter Menu mode
3. Use ◀▶▲▼ to move to Erase All
4. Press OK to enter

- Use ◀▶▲▼ to select “Cancel” or “OK”. Press OK to confirm the selected command and go back to the previous menu.

Note: You can press the MENU button anytime during setting to cancel the selection and go back to the previous menu.

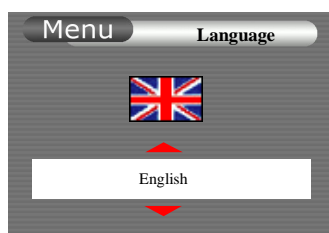
Adjust Sound Volume



- Press PLAY button to enter thumbnail screen
- Press MENU button to enter Menu mode
- Use ◀▶▲▼ to move to Volume
- Press OK to enter the setting mode
- Use ◀▶▲▼ to adjust your desired sound level
- Press OK to confirm the selected volume and go back to the last menu
- Press MENU during setting to cancel the selection and go back to the last menu

SETUP

Choose Language



- Press **MENU** to enter Menu mode
- Use ◀▶▲▼ to move to Setup
- Press **OK** to enter the setting mode
- Use ◀▶▲▼ to move to Language. Press **OK** to enter
- Use ◀▶▲▼ to select your desired language. The flag will change according to the selection
- Press **OK** to proceed the selection and go back to previous menu

Set Date / Time

Menu Date / Time 2005 - 05 - 13 ▶ 00 : 00 AM ▶ YYYY-MM-DD ▶ 12-HOUR ▶	1 Date 2 Time 3 Date Format YYYY-MM-DD MM-DD-YYYY DD-MM-YYYY 4 Time Format 12 - HOUR 24 - HOUR
---	--

- Press **MENU** to enter Menu mode.
- Use ◀▶▲▼ to move to Setup

3. Press **OK** to enter the setting mode
4. Use ◀▶▲▼ to move to Date/Time. Press **OK** to enter
5. Use ◀▶ to move to desired item. The selected item is always blinking.
6. Press ▲ to increase the current item's value or ▼ to decrease it.
7. After setting, press **OK** to save changes and go back to last menu.
8. During setting, press **MENU** to cancel selection and go back to previous menu.

Choose Flicker Option



This setting is for 50Hz/60Hz lighting.

E.g. US: 60Hz
 EU: 50Hz
 HK: 50Hz

1. Press **MENU** to enter Menu mode
2. Use ◀▶▲▼ to move to Setup
3. Press **OK** to enter the setting mode
4. Use ◀▶▲▼ to move to Flicker option. Press **OK** to enter
5. Use ◀▶▲▼ to select 50Hz or 60Hz depending on your own country's lighting condition
6. Press **OK** to proceed the selection and go back to last menu

Note: You can press the **MENU** button anytime during setting to cancel the selection and go back to the previous menu.

Menu Screen at Live or Record mode

Using Menu Mode



Press **POWER** to wake up camera and LCD screen at Live mode

1. Press **MENU** button for Menu mode. The Menu screen with thumbnail selections will appear.
2. Press ◀▶▲▼ to highlight the desired item.
3. Press **OK** to select an option.
4. When finished, press **MENU** button to exit from Menu mode to Live mode.

Note: The menu mode will cancel if a selection is not made within 30 seconds. The IntelliCorder 0 will enter into stand-by mode.






	Select Movie Quality
	Select White balance
	Choose LCD Brightness
	Go to Format Menu
	Go to Copy All to SD Card
	Set up Language

	Date/Time Flicker
	Go to Reset All Settings Menu
	Go to Firmware Version Info. Menu

Movie Quality








You can select the Movie quality mode in video recording. The default setting is Standard Play.

	Fine (320x240 @ 30fps)
	Standard Play (320x240 @ 20fps)
	Long Play (320x240 @ 13fps)

1. Set **MODE** to RECORD or LIVE while the LCD is on.
2. Press **MENU** to enter Menu mode
3. Use ◀▶▲▼ to move to Movie Quality
4. Press **OK** to enter the setting mode
5. Use ◀▶▲▼ to select your desired Movie Quality
6. Press **OK** to confirm the selected quality and go back to the last menu
7. Press **MENU** during setting to cancel the selection and go back to the last menu

Adjust White Balance

White balance adjustment can make subjects look washed out or it can allow more natural color balance for video recording. Normally, white balance is automatically adjusted. You can obtain different results by adjusting the white balance manually to fit your actual living environment.

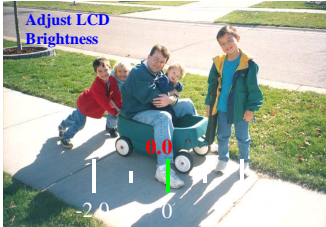
	Auto
	Sunlight
	Cloudy
	Fluorescent
	Tungsten

1. Press MENU button to enter Menu mode
2. Use ◀▶▲▼ to move to White Balance (AWB)
3. Press OK to enter the setting mode
4. Use ◀▶▲▼ to move to your desired effect (Auto, Sunlight, Cloudy, Fluorescent or Tungsten)
5. Press OK to confirm the selected quality and go back to the previous menu.

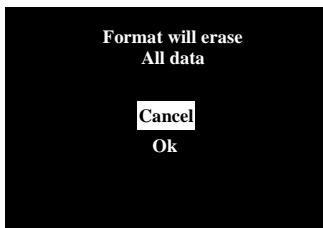
Note: You can press the MENU button anytime during setting to cancel the selection and go back to the previous menu.

Choose LCD Brightness

1. Press **MENU** to enter Menu mode
2. Use ◀▶▲▼ to move to Setup
3. Press **OK** to enter the setting mode
4. Use ◀▶▲▼ to move to LCD Brightness. Press **OK** to enter
5. Use ◀ to reduce the brightness value or ▶ to increase it
6. After setting, press **OK** to save changes and go back to last menu
7. Press **MENU** during setting to cancel the selection and go back to the last menu



Format Memory Card



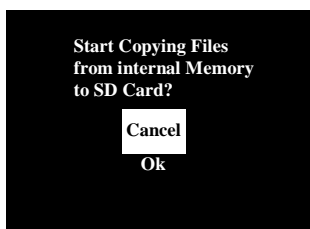
1. Press **MENU** to enter Menu mode
2. Use ◀▶▲▼ to move to Setup
3. Press **OK** to enter the setting mode
4. Use ◀▶▲▼ to move to Format. Press **OK** to enter
5. Use ▲▼ to select Cancel or OK. Press **OK** to confirm the selected command
6. If “**OK**” is selected, the file will be deleted and go to screen; Select “**Cancel**” to go back to last menu

Note: You can press the MENU button anytime during setting to cancel the selection and go back to the previous menu.

Copy All to SD Card

The Copy Files function can be used to copy all video files at once from internal memory to SD card.

Note: IntelliCorder 0 will automatically detect an SD memory card after insertion. Record, Play and other file management tasks will be routed from internal memory to SD memory card.



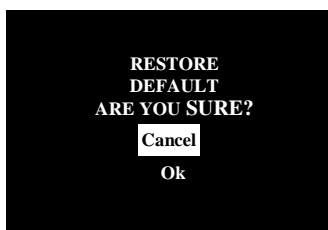
1. Press **MENU** to enter Menu mode
2. Use ◀▶▲▼ to move to Setup
3. Press **OK** to enter the setting mode

4. Use ◀▶▲▼ to move to Copy File to SD. Press **OK** to enter
5. Use ▲▼ to select Cancel or OK
6. Press **OK** to start copying. “Transferring” sentence appears and then go to the latest file at thumbnail screen
7. Press **MENU** during setting to cancel the selection and go back to the last menu

Note:

- Files copied from the internal memory will be stored in a new folder \DCIM\xxxFLASH\xxx
- The original files in the internal memory will not be erased. They must be erased manually.

Default Setup



Should it become necessary, you have the option of setting the IntelliCorder 0 back to the original factory default settings.

1. Press **MENU** to enter Menu mode
2. Use ◀▶▲▼ to move to Setup
3. Press **OK** to enter the setting mode
4. Use ◀▶▲▼ to move to Default Setup. Press **OK** to enter
5. Use ▲▼ to select “**Cancel**” or “**OK**”. Press **OK** to confirm the selected command
6. If “**OK**” is selected, the default setup will be restored and go to normal mode; Select “**Cancel**” to go back to previous menu
7. Press **MENU** during setting to cancel the selection and go back to the last menu

Firmware Version



Occasionally, software updates/improvements may become available. The IntelliCorder 0 has the ability to load new software. Check the website periodically to find out if new software versions are available. Instructions to download from the website and upload to the IntelliCorder 0 can also be found on the website site. You can also contact Customer Service for any question.

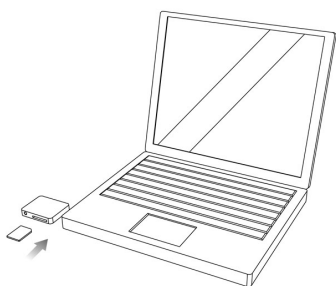
1. Press **MENU** to enter Menu mode
2. Use ◀▶▲▼ to move to Setup
3. Press **OK** to enter the setting mode
4. Use ◀▶▲▼ to move to Version. Press **OK** to enter
5. Press **OK** or **MENU** to go back to previous menu

Use “SD Memory Card”

You can record and play back videos on the SD memory card (purchase separately). You can also exchange video data with other equipment such as a personal computer etc., using the Memory Card Reader/Writer or a PC card adaptor (not supplied).

Note:

- * We recommend backing up important data
- * IntelliCorder supports up to 4 GB SD memory card.
- * Video data may be damaged in the following cases:
 - If you remove the SD memory card before you turn off power
 - If you remove batteries while reading or recording data to the SD memory card.
 - If the SD memory card is placed near magnetic or static electricity fields
- * Do not bend, drop or apply strong shock to a SD card.
- * Do not disassemble or modify a SD card.
- * Do not let the SD card get wet.
- * Do not use or keep a SD card in locations that are:
 - Extremely hot
 - Under direct sunlight
 - Very humid or subject to corrosive gases
- * When you carry or store a SD/MMC, put it in its case.
- * A SD card formatted by the Windows OS or Macintosh computer does not have a guaranteed compatibility with this IntelliCorder 0.

Download Video

To download video images directly from a SD memory to your PC, a Multimedia or SD card reader compatible with your computer is required.


Typical video data file name

Root: folder <DCIM> <100 CODER> CLIP0001~2,3,.... : As displayed on your PC screen

TROUBLE SHOOTING

If you are having trouble in operating this product, please consult the guide as below:

SYMPTOM	REMEDIES
No picture in LCD monitor	<ul style="list-style-type: none"> * Use 3pcs new or fully charged alkaline batteries * Firmly connect all needed cables
LCD displays "SENSOR ERROR"	Ensure the plug of the ribbon cable is properly attached into the terminal (see page 8) <ul style="list-style-type: none"> * Make sure camera and monitor are switched ON. * Make sure camera is not covered
Audio problems	Ensure the volume is turned up sufficiently on the monitor
The power goes off	The Batteries are dead or nearly dead → Install 3pcs new or fully charged alkaline batteries
The AUTO RECORD function does not work	* There is no AUTO RECORD in the PLAY or menu settings.
The battery	* You have used the batteries in an extremely hot or cold environment

remaining indicator does not indicate the correct time	for a long time. * The batteries are completely dead → Replace with new Batteries
Recording does not function	* The SD formatted incorrectly is inserted. → Format the SD memory card or use another SD card * Check Battery Indicator
NO SD memory card	* No SD card or unreadable SD card is inserted * The SD memory card is broken or the file format is incorrect. Eject the SD card, check it for damage and insert it again. If the same indicator appears, use another SD card.
SD card cannot be inserted	* Insert SD card, label side facing out
LCD displays 	* Set the time and date * Replace with a new CR2032 battery for clock

Specifications

Battery:	3pcs 1.5V alkaline batteries	
Video Recording Camera:	1/5" type CMOS, Approx. 300,000 pixels	
LCD:	1.5 inch Color LPTS (480 x 240)	
File Type:	Motion JPEG	
Operating Temperature:	0°C ~ 50°C (32°F ~ 122°F)	
Operating Humidity:	10% ~ 85 %	
Weight:	IntelliCorder 0	147g (excluding batteries)
Dimensions:	IntelliCorder 0 - Monitor	108 x 65 x 24mm (excluding Mounting Bracket)
	IntelliCorder 0 - Sensor	58 x 35 x 13mm (excluding Supporter)

Weight and dimensions as shown above are approximation only.
Design and specifications are subject to change without prior notice.

Important:

For electrical products sold within the European Community. At the end of the electrical products useful life it should not be disposed of with household waste. Please recycle where facilities exist. Check with your Local Authority or retailer for recycling advice in your country.

